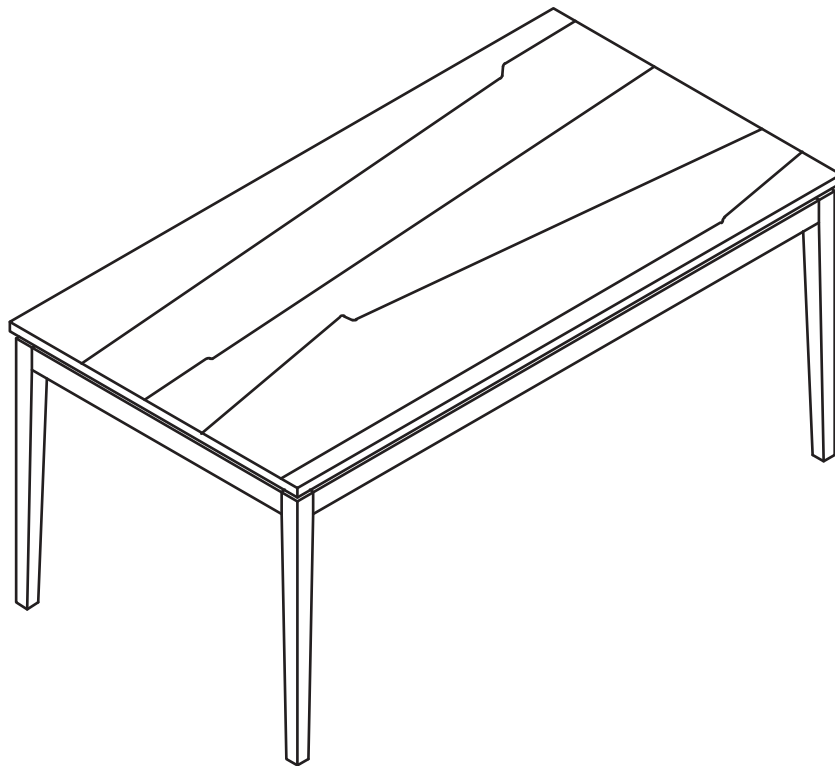


SOLID WOOD ONLY®

KARPENTER®
Designed by Us Defined by Nature

ASSEMBLY INSTRUCTIONS



TWENTY TWENTY
DINING TABLE



56 KG

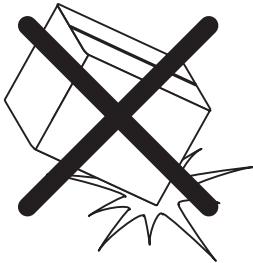


3/5 (AVERAGE)

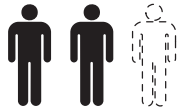
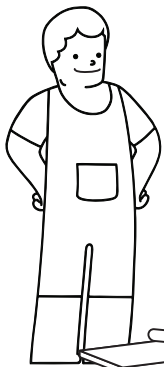


≈ 20 MINS

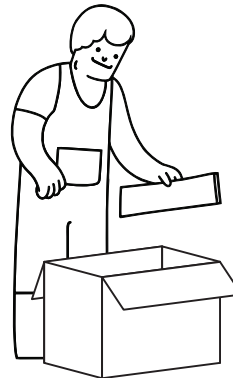
IT'S FINALLY ARRIVED!
BEFORE ASSEMBLE
THIS PRODUCT,
PLEASE READ
ALL INSTRUCTIONS
CAREFULLY.



PLEASE BE CAREFUL
WHEN ASSEMBLING AND
TRY NOT TO DROP
THE SOLID WOOD
COMPONENTS.



THIS CART REQUIRES
2 PEOPLE TO DO
ASSEMBLY.



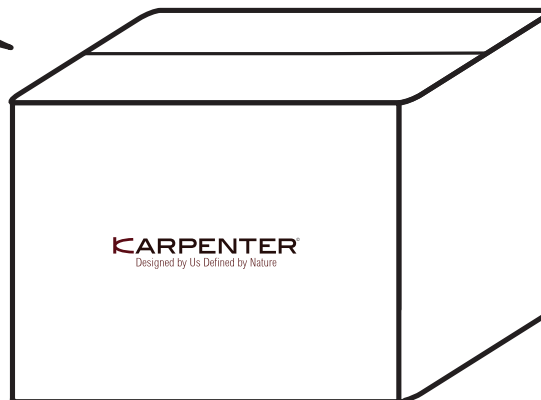
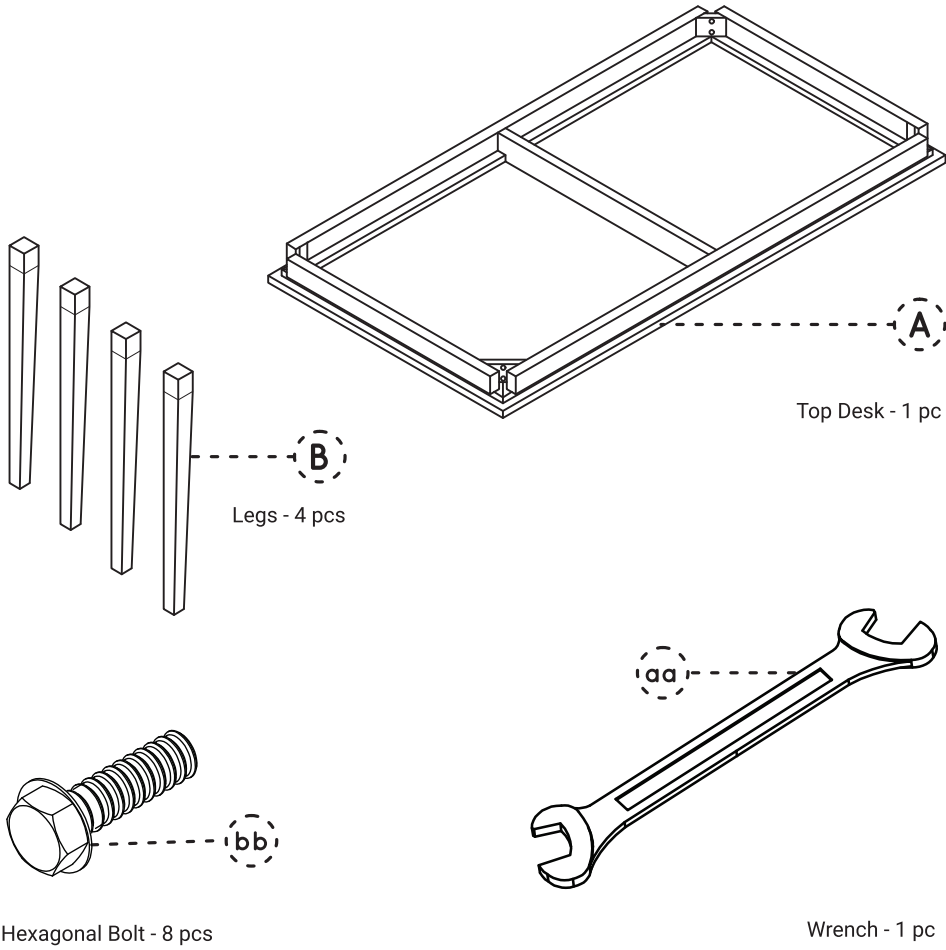
FIND
THE LETTER
(A, B, C,.) OR
NUMBER (1, 2, 3,.)
ON EACH PART.



PLACE ALL PARTS ON
A CARPET OR
FOAM FROM
THE SHIPPING BOX.

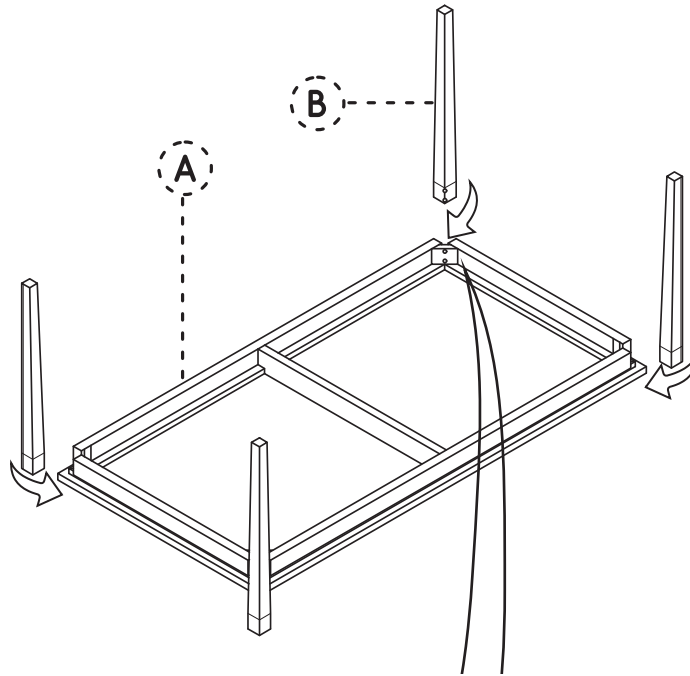


PRODUCT
COMPONENTS
INSIDE THE BOX



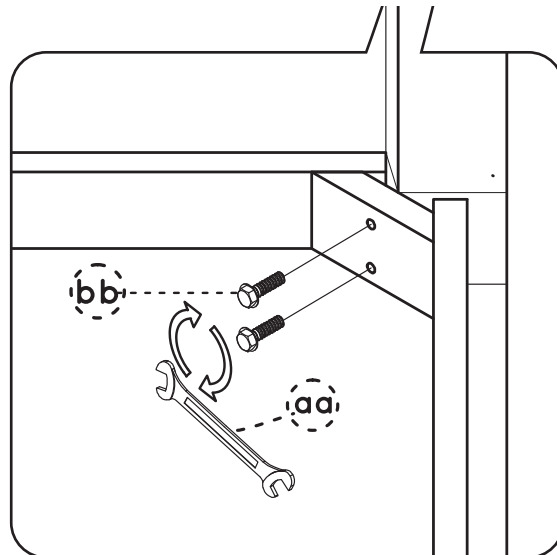
1

LAY ALL COMPONENTS ONTO CLEAN SMOOTH SURFACE AS CARPET OR CARDBOARD. PLEASE NOTE THE INDICATING LETTERS FOR HOMING GUIDANCE.



2

ATTACH LEG (B) TO THE TOP TABLE (A) BY ALIGNING INTO WOODEN CORNER HOLES, AND SECURED BY HEXAGONAL BOLTS (BB). TIGHTEN BY USING WRENCH (AA).



3

TURN THE TABLE UP AND VOILÀ, YOUR GRASSHOPPER RECTANGULAR DINING TABLE IS READY TO USE.

